

Part Number: #SMA-CP4
Description: SMA Flange Mount
(chassis) Plug, 4-hole



Available from www.dpcav.com

TECHNICAL CHARACTERISTICS

Temperature range..... -65~ +165F
Vibration..... MIL-STD-202, Method 213
Impedance..... 50Ω
Frequency Range..... DC~12.4GHz (0~18GHz)
Working Voltage..... 335V max
Withstand Voltage..... 1000V RMS

CONTACT RESISTANCE

Center Contact..... ≤3mΩ
Outer Contact..... ≤2mΩ
Insulation resistance..... ≥5000 mΩ
Insertion loss..... ≥0.15 dB/6GHz
VSWR..... ≤1.10+0.003f
Durability (mating)..... ≥ 500 (cycles)

MATERIAL & PLATING

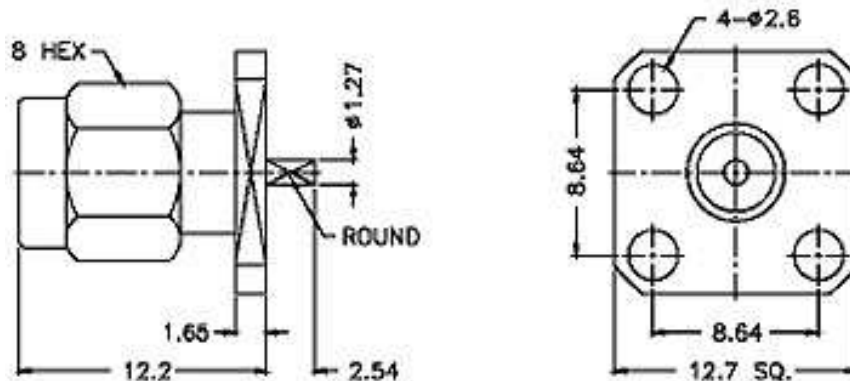
Shell Brass (gold plated)
Inner conductor Beryllium or tin brass (gold plated)
Insulator PTFE
Crimping suite Copper alloy
O-ring sealing Silicone elastomer



APPLICABLE STANDARDS

MIL-C-39012
CECC 22110
IEC 60169-15

Dimensions in millimeters



Specifications subject to change without notice.