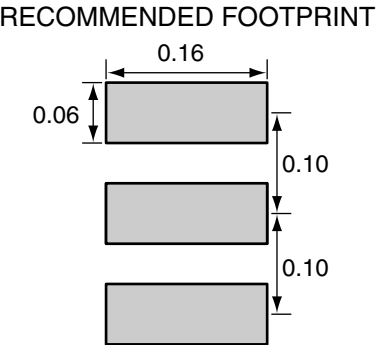
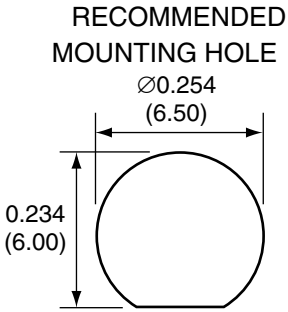
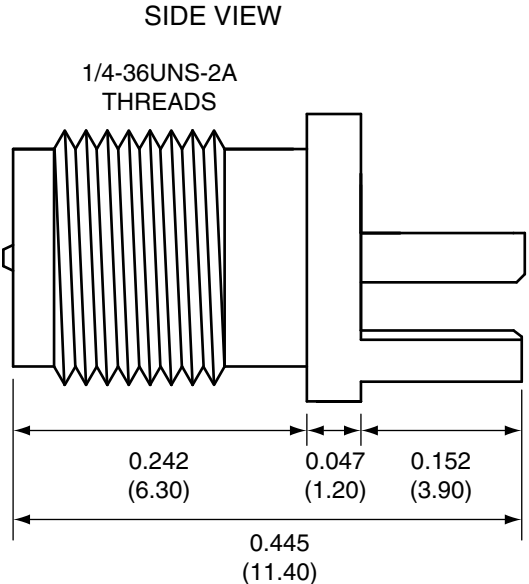
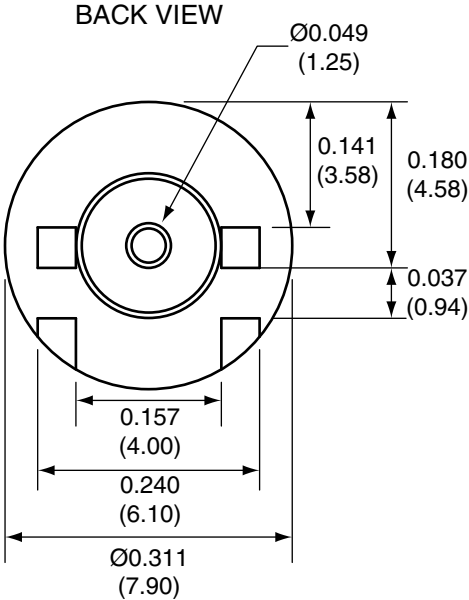
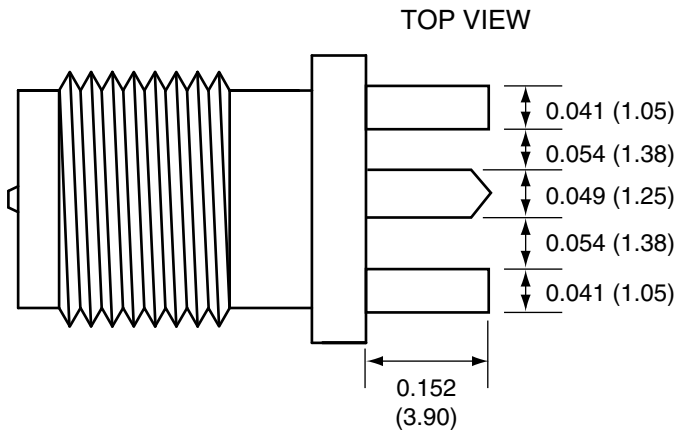


1		
Description	Material	Finish
Body	Brass	Nickel
Pin	Brass	Gold
Insulation	Teflon	Teflon

Available from www.dpcav.com
Part Number #SMA-007-31



Title RP-SMA FEMALE EDGE MOUNT FOR 0.031" THICK BOARD		CONNECTOR CITY 159 ORT LANE MERLIN, OR 97532 PH (541)-471-6256 FAX (541)-471-6251	
Part No. CONREVSM003.031	Revision: 1.0		
Dimensions: INCHES (mm)	Date: 6/2/2006	Sheet 1 of 1	

