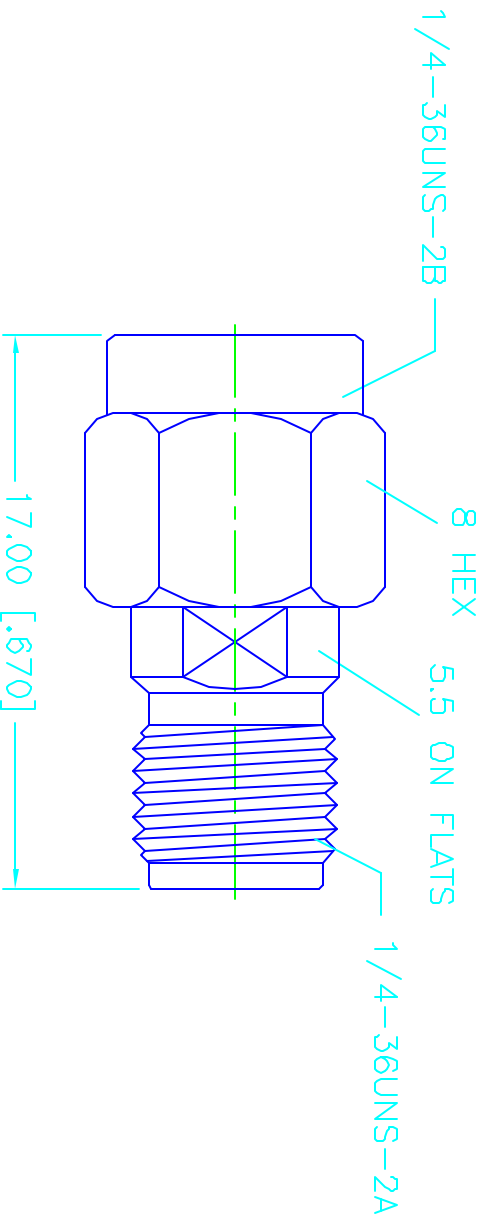


REV.	DATE	DESCRIPTION
NC	04/22/00	INITIAL RELEASE



Available from www.dp cav.com

DESCRIPTION	MATERIAL	FINISH	UNLESS OTHERWISE SPECIFIED DIMENSIONS ARE IN MILLIMETERS DIMENSIONS IN [] ARE IN INCHES FOR CUSTOMER REFERENCE ONLY	APPROVALS	DATE	TITLE	SCALE	PART NO.	SHEET
1 BODY	BRASS	GOLD	UNLESS OTHERWISE SPECIFIED TOLERANCES FOR MILLIMETERS ARE: 0.5-6 = ± 0.2 6-30 = ± 0.4 30-120 = ± 0.6 120-315 = ± 1 315-1000 = ± 1.6 1000-2000 = ± 2.4	DRAWN	04/22/00	SMA PLUG REVERSE POLARIZED TO SMA JACK	NA	132171RP-10	1 OF 1
2 INSULATOR	TEFLON	NATURAL		CHECKED	G.R.S.				
3 CONTACT PIN	BRASS	GOLD		ISSUED					
4 RETAINER RING	BER. COPPER	GOLD							
5 GASKET	SILICONE	RED							
6									
7									
8				DO NOT SCALE DRAWING					



Connector Corporation
SMA PLUG REVERSE POLARIZED TO SMA JACK

SIZE: A
FORM NO.: 99001
DWG. NO.: 132171RP-10.DWG
REV.: NC