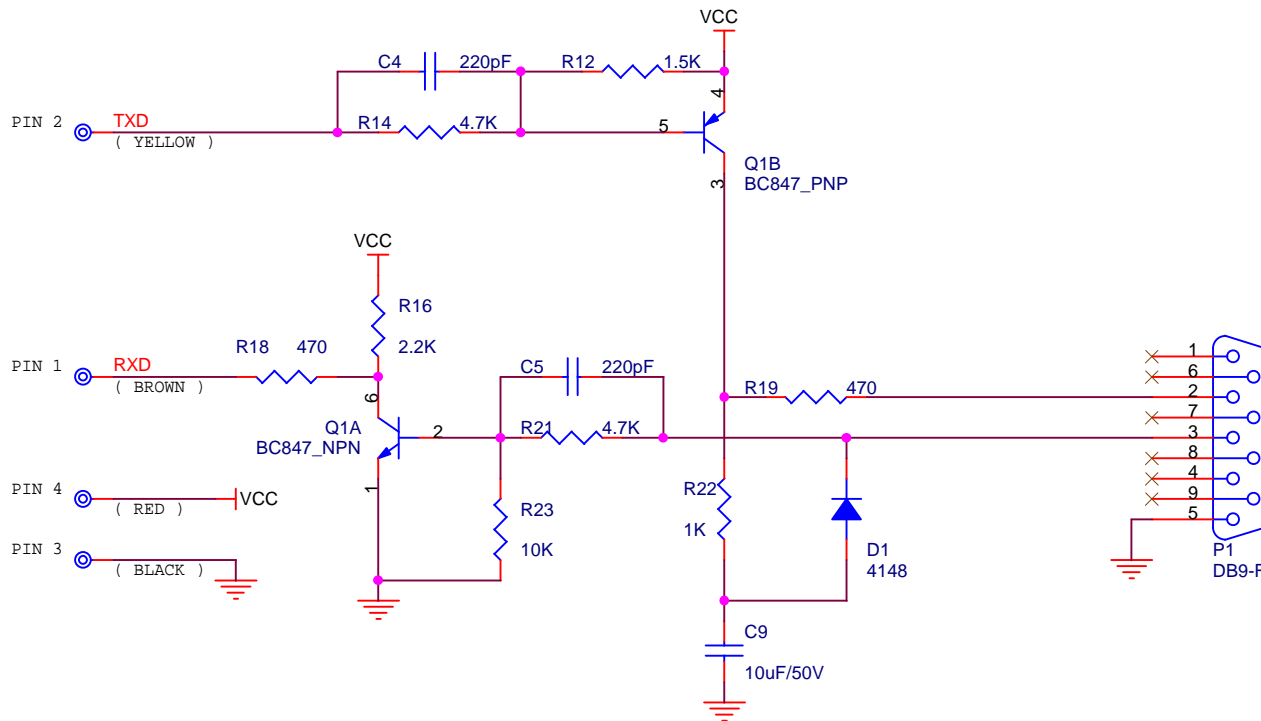




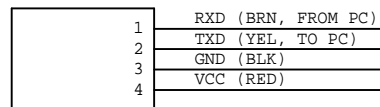
Available from www.dpcav.com
Part Number #SLC-232



HOW TO USE:

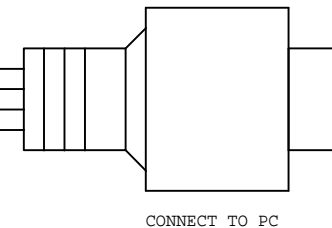
1. CONNECT THE DB9 CONNECTOR TO PC SERIAL PORT.
2. CONNECT THE 4-PIN CONNECTOR TO YOUR LOGIC CIRCUIT ACCORDING TO PIN ARRANGEMENT.
3. ENSURE +VCC (3 - 5V) IS PROVIDED. IT WILL NOT WORK WITHOUT A POWER SUPPLY.
4. PC MUST BE EIA-232 COMPATIBLE.

4 PIN CONNECTOR



LOGIC CIRCUIT (MICROCONTROLLER, GPS MODULE, ETC.)
CONNECT VCC TO 3 - 5V (logic voltage)

DB-9 FEMALE CONNECTOR



Serial Shifter (RS-232 Level Converter)

Produced by JYETECH, China