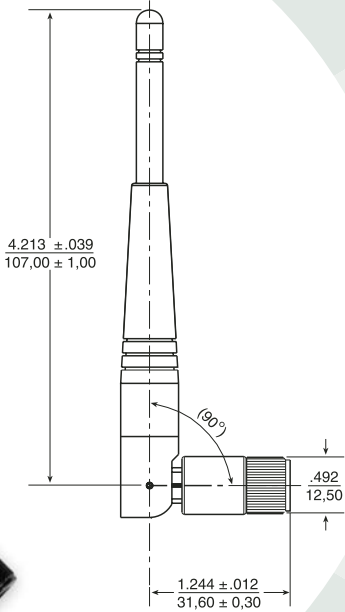


Wireless External Antenna for 2.4 GHz Applications, Tapered Design



Features

- Attractive, tapered design
- Omni-directional radiation pattern provides broad 360° coverage
- One-quarter wavelength di pole configuration

Color

- Black

Connector

- Reverse SMA (Male)

Weight.....19.5 grams

Dimensions: $\frac{\text{Inches}}{\text{mm}}$

Unless otherwise specified, all tolerances are $\pm \frac{.010}{0.25}$

Electrical Specifications @ 25 °C

Note: This part number is lead-free and RoHS compliant. No additional suffix or identifier is required.

Antenna	Frequency [GHz]	Gain [dBi]	Impedance [Nom]	VSWR	Polarization	Electrical Length	Radiation	Color
ANTHDR-2.4	2.4 – 2.5	2.0	50 Ω	≤ 2.0	Vertical	1/4, dipole	Omni	Black

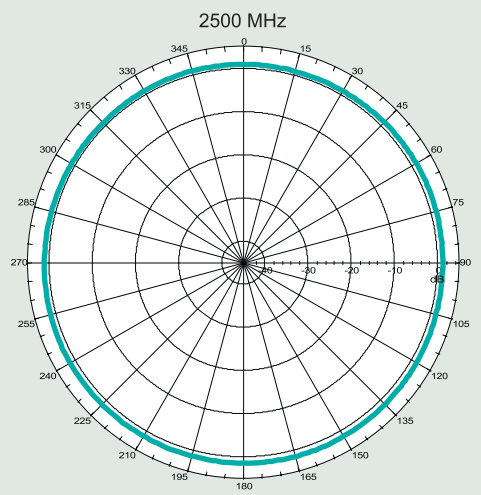
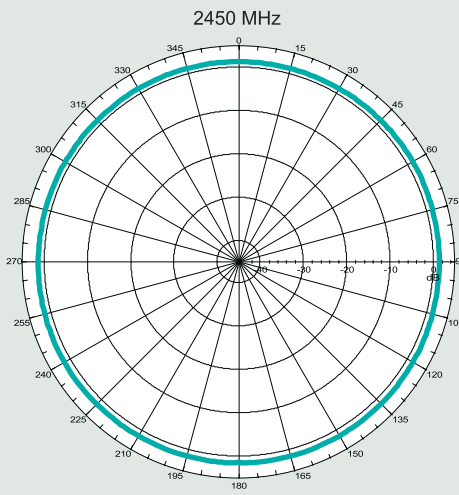
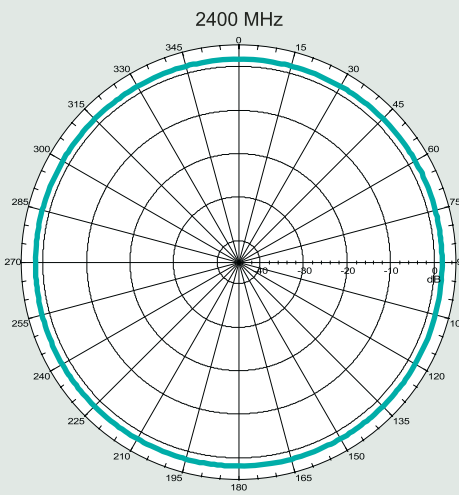
Wireless External Antenna for 2.4 GHz Applications, Tapered Design

Application Notes

Omni-directional antennas provide a uniform, donut-shaped, 360° radiation pattern. The omni-directional pattern is suitable for point-to-multipoint broadcasting in all directions. This antenna is primarily used for WLAN

applications. However, it can also be used for a variety of other applications within the specified frequency range. When used as an access point, the antenna is ideally located at the center of the coverage area.

Horizontal Position



Vertical Position

