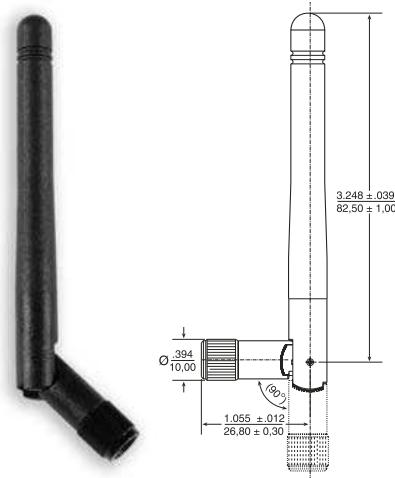


Wireless Antenna for 2.4 GHz Applications



Features

- Ideal for 2.4GHz wireless A/V applications.
- For WLAN devices using WiFi (802.11b/g), Bluetooth® and ZigBee™
- Omni-directional radiation pattern provides broad 360° coverage
- One-quarter wavelength dipole configuration

Connector

- Reverse SMA (Male)

Weight.....6.3 grams

Dimensions: $\frac{\text{Inches}}{\text{mm}}$

Unless otherwise specified, all tolerances are $\pm \frac{.010}{0.25}$

Electrical Specifications @ 25 °C

Note: This part number is lead-free and RoHS compliant. No additional suffix or identifier is required.

Frequency [GHz]	Gain [dBi]	Impedance [Nom]	VSWR	Polarization	Electrical Length	Radiation
2.4 – 2.5	2.0	50 Ω	≤ 2.0	Vertical	1/4, dipole	Omni

Pulse Antennas

Takatie 6
 90440 Kempele
 Finland
 Tel: +358 207 935 500
www.pulseeng.com/antennas

Wireless External Antenna for 2.4 GHz Applications

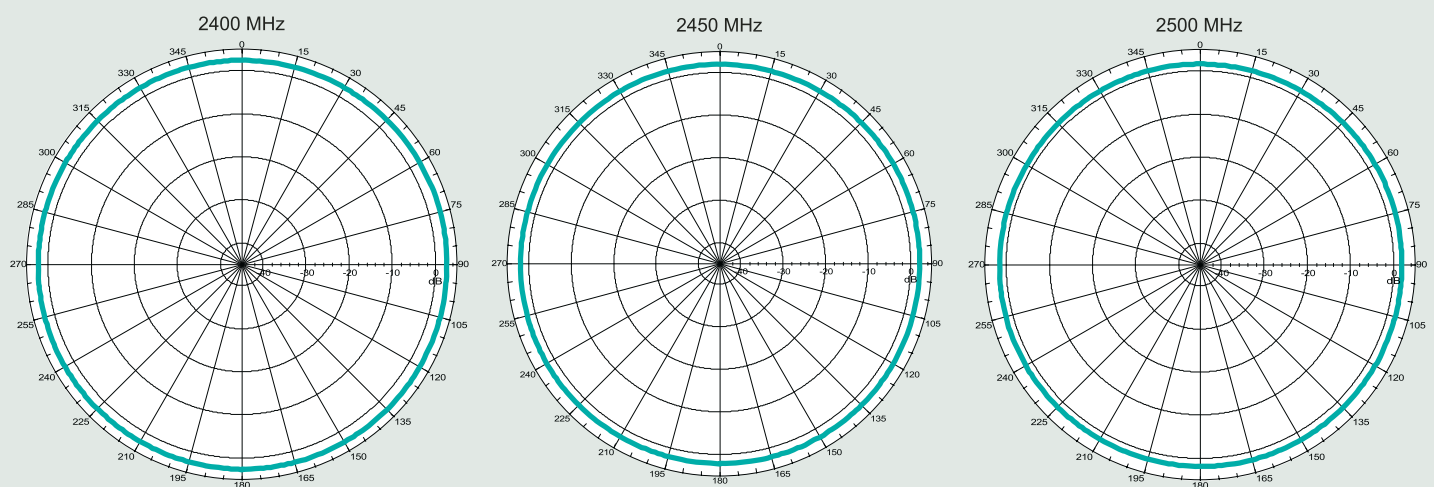
Application Notes

Omni-directional antennas provide a uniform, donut-shaped, 360° radiation pattern. The omni-directional pattern is suitable for point-to-multipoint broadcasting in all directions. This antenna is primarily used for WLAN

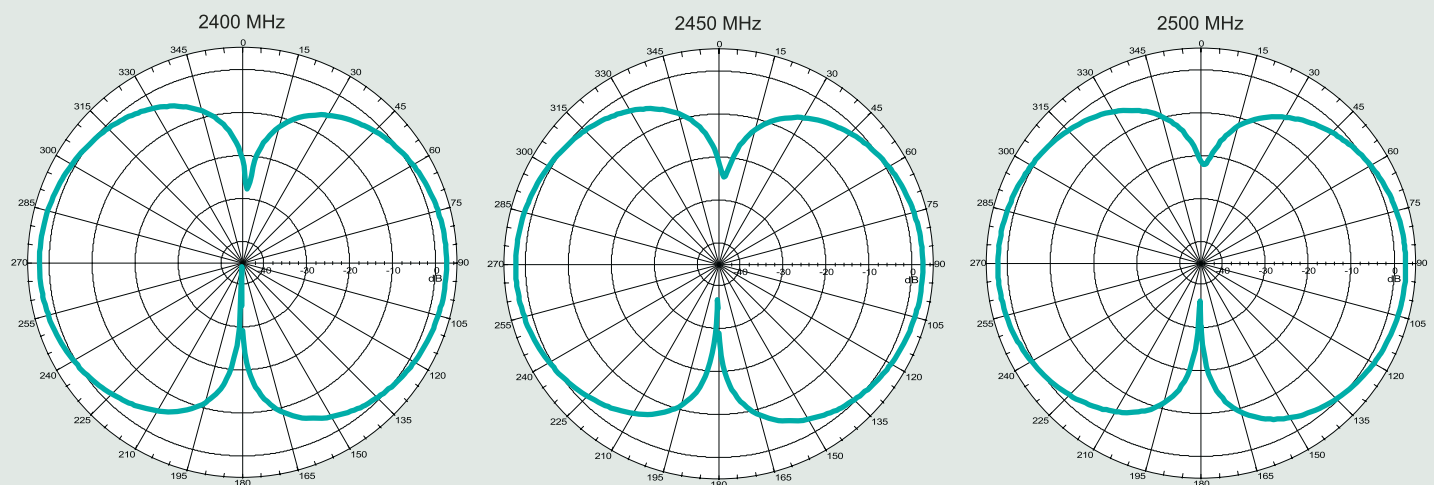
applications. However, it can also be used for a variety of other applications within the specified frequency range. When used as an access point, the antenna is ideally located at the center of the coverage area.

Gain Performance

Horizontal Position



Vertical Position



Pulse Antennas

Takatie 6
90440 Kempele
Finland
Tel: +358 207 935 500
www.pulseeng.com/antennas

